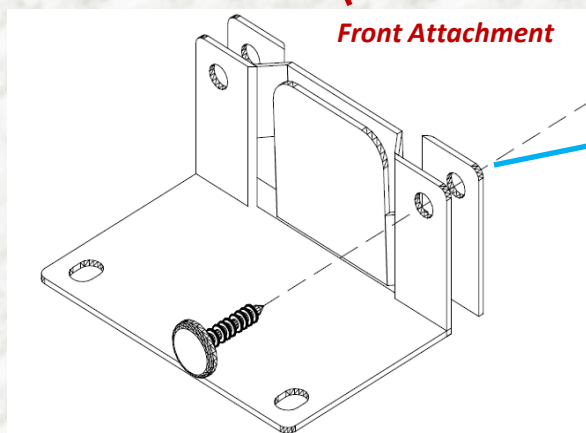
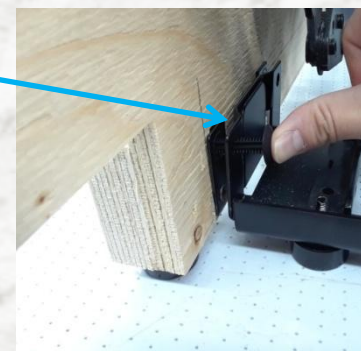
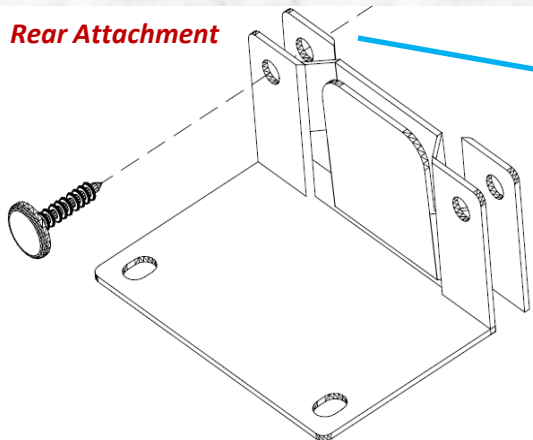
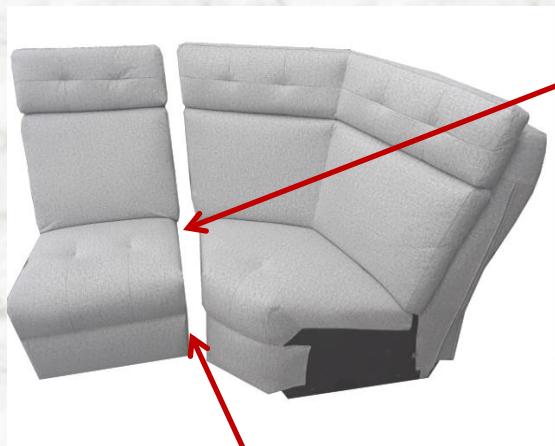


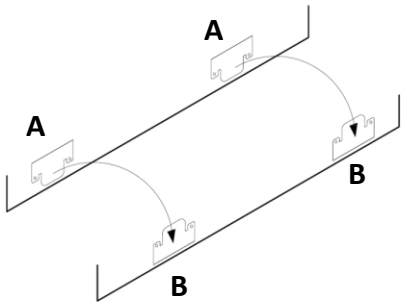
# Security Lock installation for sectional



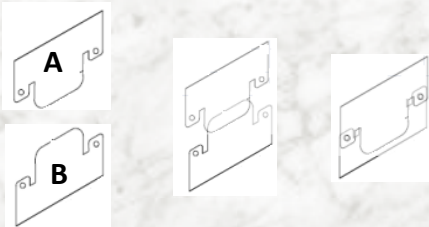
# Security Lock installation for sectional-next page

**Please,** follow the instructions on how to use the Elran Connecting System for your new furniture. We recommend asking for assistance from someone when moving your furniture.

Place the furniture so that the attachments of each section are aligned



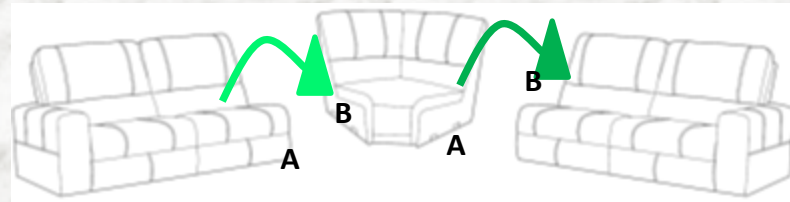
The attachments must all fit together.



Lift the section (A) which include the attachments whose openings are downwards and insert the attachments into those of section (B) which have the attachments with the opening upwards

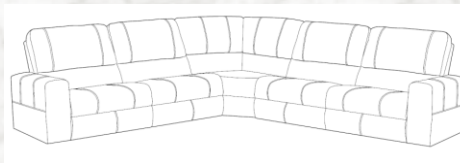
**Step 2**

**Step 1**



If you decide to move your Elran furniture, locate the section (A) with the downward facing attachments, remove locks if any, lift it up then pull apart towards the left

**Step 1**



**Step 2**

