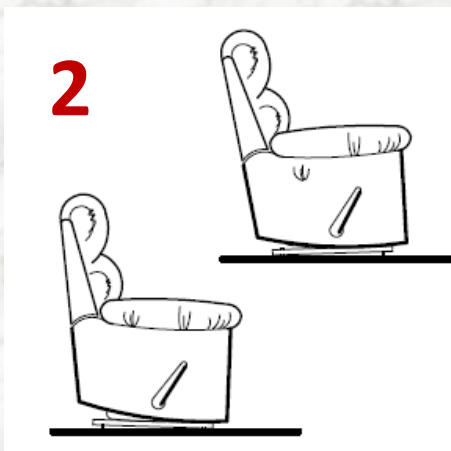
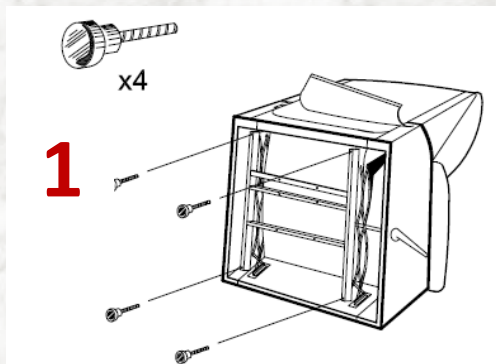


Rocker Recliner - Leg and back installation

Insert the legs as illustrated.



For a stronger backward swinging motion, adjust the height of the front legs.

For a stronger forward swinging motion, adjust the height of the back legs.

Place the sleeve bracket onto back mounting bracket. To secure back, push down with your hands.

To remove the back, firmly pull the latch on the spring clip.

When latch is released, pull up on back to remove.

